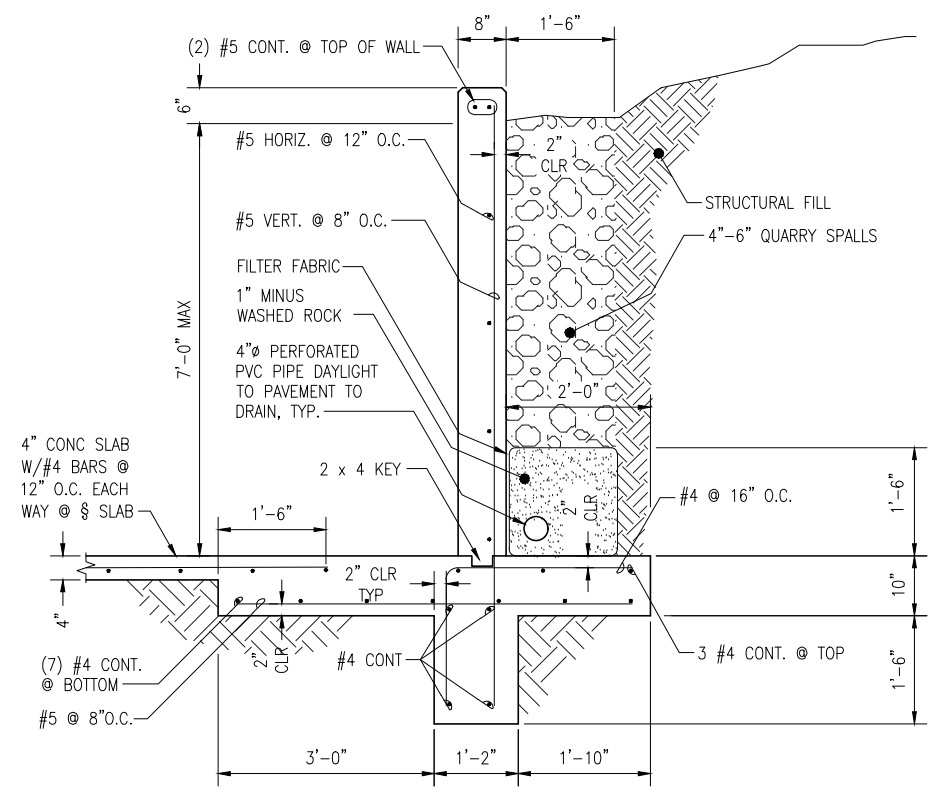
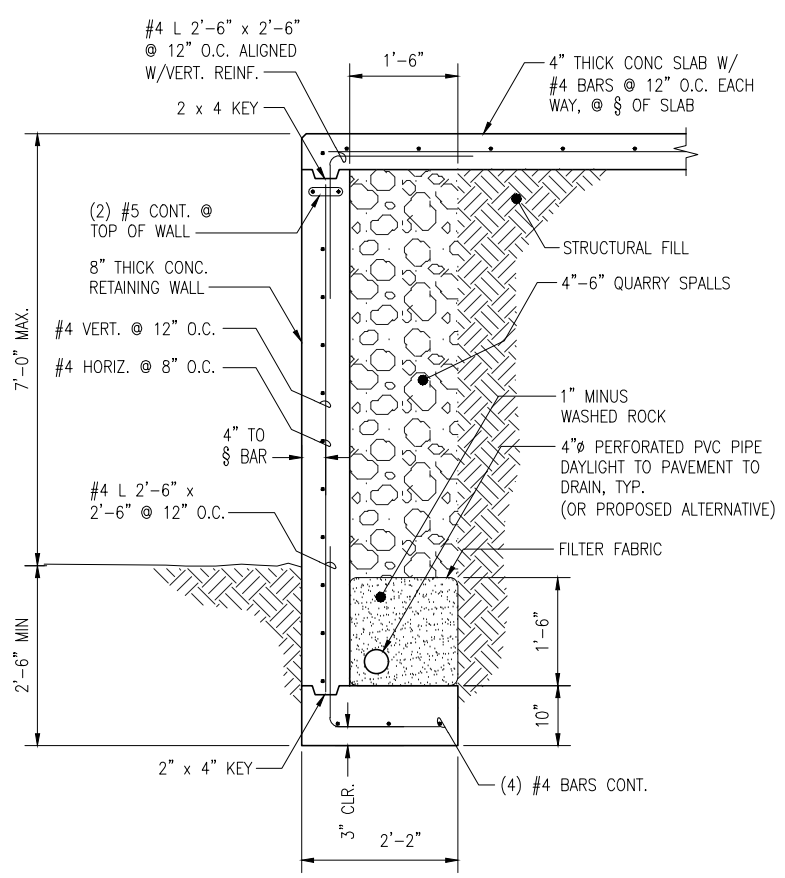


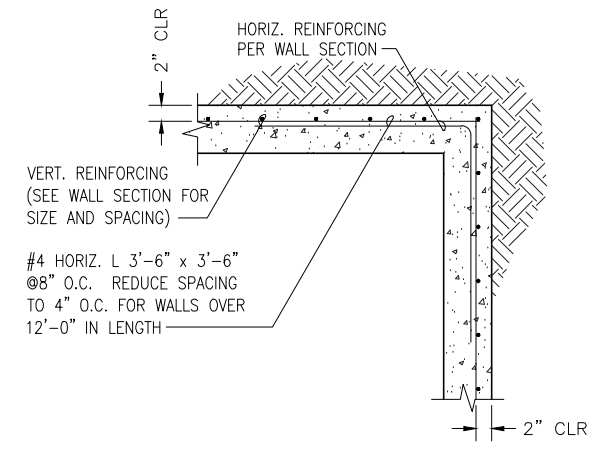
I:\DOT\kingcounty\dot\transit\DCAD\_CAD\Folders\Projects\passenger\_facilities\standard\_details\2021-2022 standard details\D106.dwg | Layout: D106  
 PLOTTED: May 19, 2022 9:08:27pm By: dbernett  
 XREFS: KCMTD-BORDER.dwg IMAGES



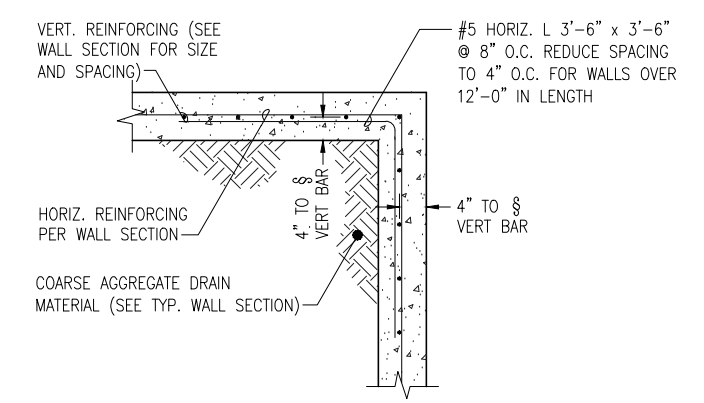
TYPICAL COUNTERFORT WALL TYPE I ELEVATION  
 DETAIL 1  
 SCALE: 3/4"=1'-0"



TYPICAL COUNTERFORT WALL II ELEVATION  
 DETAIL 2  
 SCALE: 3/4"=1'-0"



TYPICAL COUNTERFORT WALL CORNER  
 DETAIL 3  
 SCALE: 3/4"=1'-0"



TYPICAL COUNTERFORT WALL CORNER  
 DETAIL 4  
 SCALE: 3/4"=1'-0"

KCMT 2021-2022 STANDARD DETAILS				
No.	REVISION	BY	APP'D	DATE



DESIGNED: K. CHANG YUEN	APPROVED: P. ENG
DRAWN: L. ANDERSON	PROJECT NO.:
CHECKED: K. CHANG YUEN	CONTRACT NO.:
CHECKED: C. ASQUITH	



METRO TRANSIT CAPITAL DIVISION TRANSIT PASSENGER FACILITIES - IMPROVEMENTS		DATE: 05/2022
COUNTERFORT WALL DETAILS		DRAWING NO: D106
		SHEET NO. OF 13 20