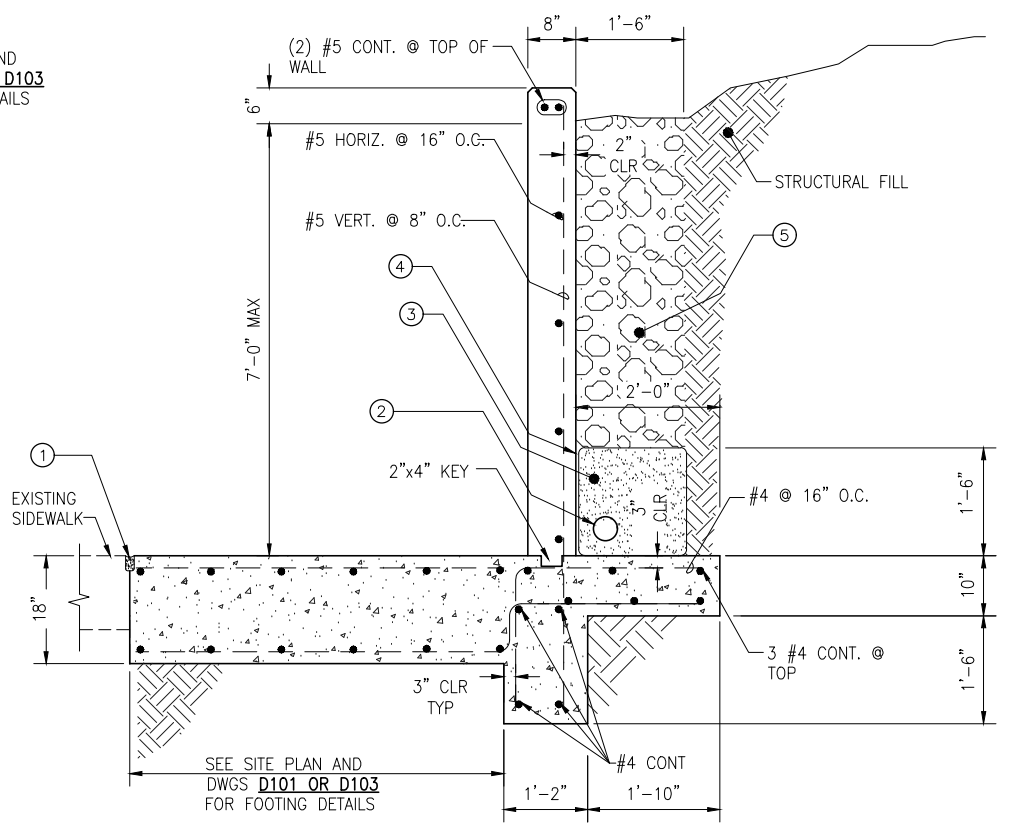


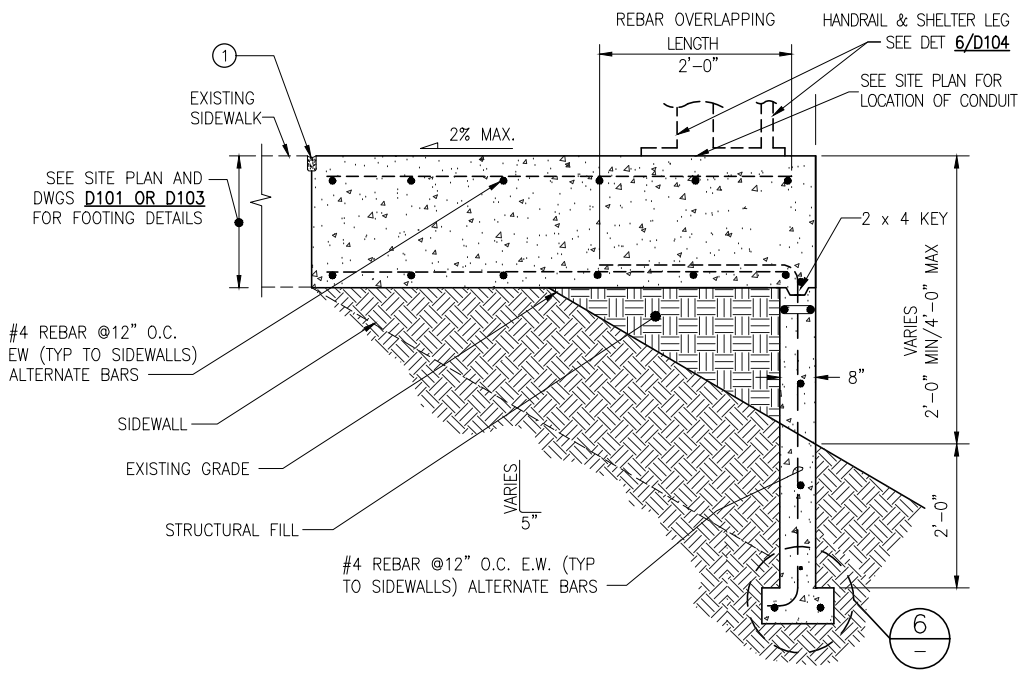
COUNTERFORT WALL WITH INTEGRATED SHELTER FOOTING

DETAIL 1 SCALE: NTS



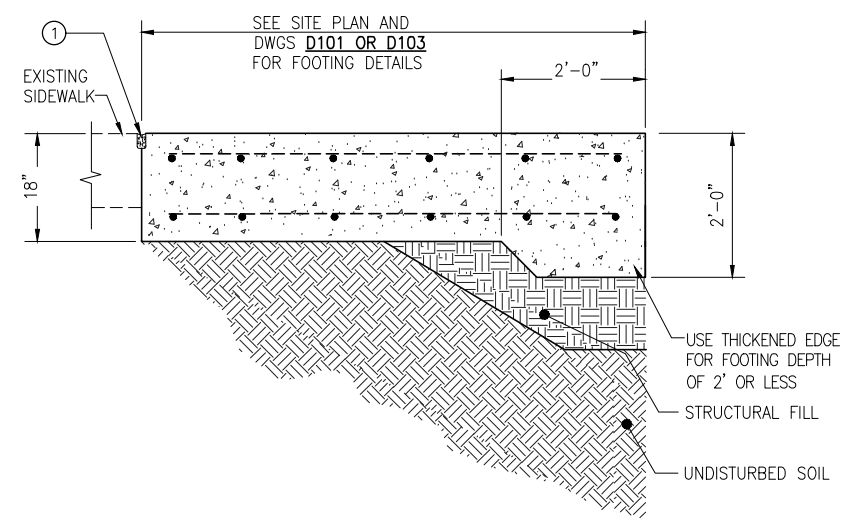
COUNTERFORT WALL WITH INTEGRATED SHELTER FOOTING

DETAIL 2 SCALE: NTS



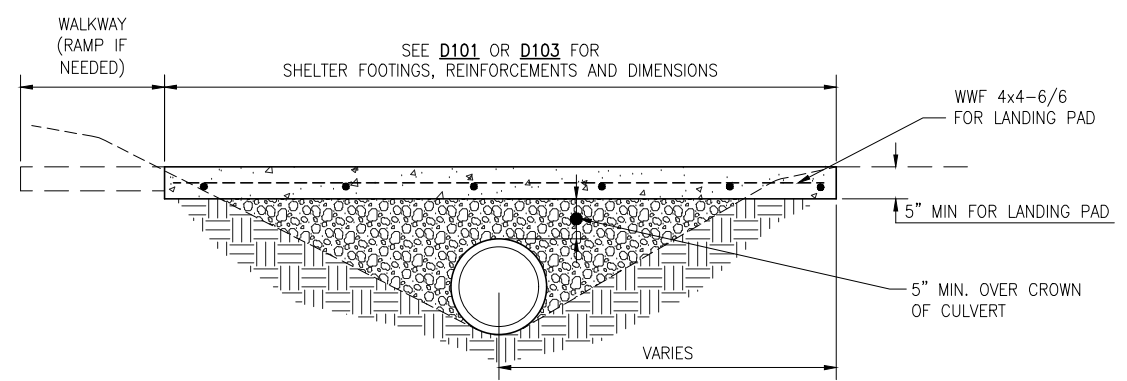
COMBINED OVER 2' HIGH FILL WALL-FOOTING/FOUNDATION

DETAIL 4 SCALE: NTS



FOOTING W/THICKENED EDGE

DETAIL 3 SCALE: NTS

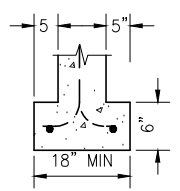


REINFORCED SLAB/SHELTER FOOTING OVER DRAINAGE DITCH

DETAIL 5 SCALE: NTS

CONSTRUCTION NOTES

1. JOINT PER DET 3/D101 TO ISOLATE EDGES FROM PAVEMENT, SIDEWALKS, OR OTHER STRUCTURES.
2. 4" PERFORATED PIPE, SEE PLANS FOR DAYLIGHTING REQUIREMENTS.
3. 1" MINUS WASHED ROCK.
4. FILTER FABRIC
5. 4" TO 6" QUARRY SPALLS.



DETAIL 6 SCALE: NTS

I:\DOT\kingcounty\dot\transit\CCAD\_CAD\_Folders\Projects\passenger\_facilities\standard\_details\2021-2022 standard\_details\0105.dwg | Layout: D105  
 PLOTTED: May 19, 2022 9:08:19pm By: dbernet  
 XREFS: KCMTD-BORDER.dwg IMAGES:

KCMT 2021-2022 STANDARD DETAILS				
No.	REVISION	BY	APPD	DATE



DESIGNED: K. CHANG YUEN	APPROVED: P. ENG
DRAWN: L. ANDERSON	PROJECT NO.:
CHECKED: K. CHANG YUEN	CONTRACT NO.:
CHECKED: C. ASQUITH	



METRO TRANSIT CAPITAL DIVISION TRANSIT PASSENGER FACILITIES - IMPROVEMENTS		DATE: 05/2022
RETAINING WALLS AND OTHER DETAILS		DRAWING NO: D105
		SHEET NO. OF 12 20