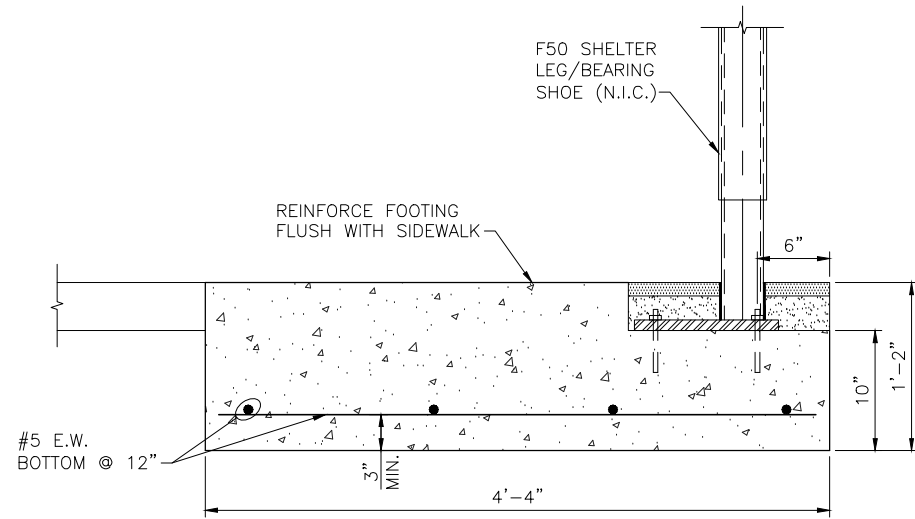


**F50 SHELTER INSTALLATION NOTES**

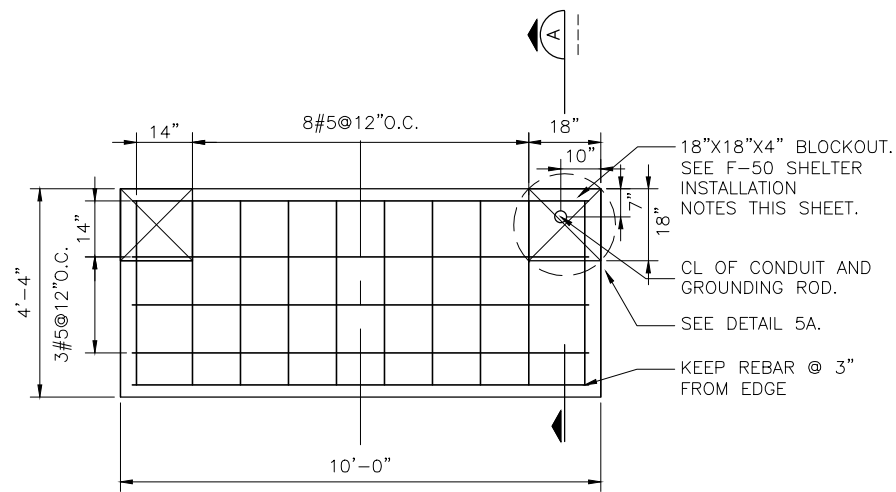
1. F50 SHELTER FRAME SHALL BE INSTALLED AT SITE WITH LONGITUDINAL SLOPE NOT MORE THAN 5%
2. KEEP THE BEARING SHOE BLOCKOUTS IN-PLACE AFTER FOOTING CONSTRUCTION UNTIL SHELTER IS TO BE INSTALLED.
3. UPON COMPLETION OF SHELTER INSTALLATION FILL THE BEARING SHOE BLOCKOUTS IMMEDIATELY TO FLUSH WITH ADJACENT SURFACE. SEE SECTION A THIS SHEET.

**F50 BEARING SHOE INSTALLATION NOTES (N.I.C.)**

- ① EMBED 3/4" DIA S.S. THREADED ROD AT LEAST 6-3/4" INTO FOOTING. USE HILTI HIT-RE-500 EPOXY. TYPICAL FOR FOUR.
- ② 1/2" THICK OWEN CORNING INSULATION BOARD. BORE HOLES TO ACCOMMODATE ANCHOR BOLTS AND NUTS.
- ③ WRAP BOTTOM 4" OF BEARING SHOE WITH 3M BLACK VINYL TAPES PRIOR TO APPLYING TOPPING COURSE.
- ④ APPLY APPROX. 1/4" THICK FIBER-REINFORCED CEMENT, FLUSH WITH SHELTER FOOTING. (INDUSTRIAL PRODUCT: PROFLEX 1FR-INDUSTRIAL FLOOR REPAIR.)

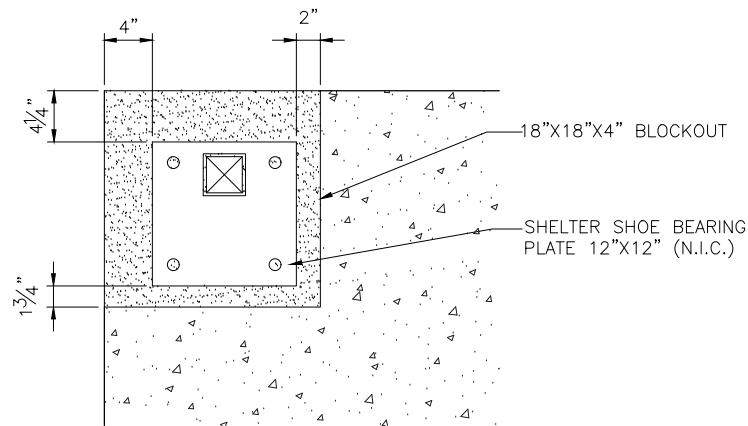


SECTION A  
SCALE: NONE



F50 SHELTER FOOTING  
BLOCKOUTS FOR SHELTER BEARING SHOES

DETAIL 4  
SCALE: NONE



SHELTER SHOE BEARING PLATE LOCATION (N.I.C.)

DETAIL 5A  
SCALE: NONE

I:\DOT\kingcounty\dot\transit\DCAD\_Folders\Projects\passenger\_facilities\standard\_details\2021-2022\standard\_details\101C.dwg | Layout: D101C  
 PLOTTED: May 19, 2022 9:17:30pm By: dbernett  
 XREFS: KCMTD-BORDER.dwg  
 IMAGES:

KCMT 2021-2022 STANDARD DETAILS				
No.	REVISION	BY	APPD	DATE



DESIGNED: K. CHANG YUEN	APPROVED: P. ENG
DRAWN: L. ANDERSON	PROJECT NO.:
CHECKED: K. CHANG YUEN	CONTRACT NO.:
CHECKED: C. ASQUITH	



METRO TRANSIT CAPITAL DIVISION TRANSIT PASSENGER FACILITIES - IMPROVEMENTS	DATE: 05/2022
F-50 SHELTER FOUNDATION PLAN AND DETAILS	DRAWING NO: D101C
	SHEET NO. OF 7 20